

# Dehumidifer RECUSORB RZ - 081/101/102 ICE



**19.5 - 54 kg/h**

Dehumidifying capacity  
at 20°C / 60%RH

**4 500 - 12 000 m<sup>3</sup>/h**

Dry air flow

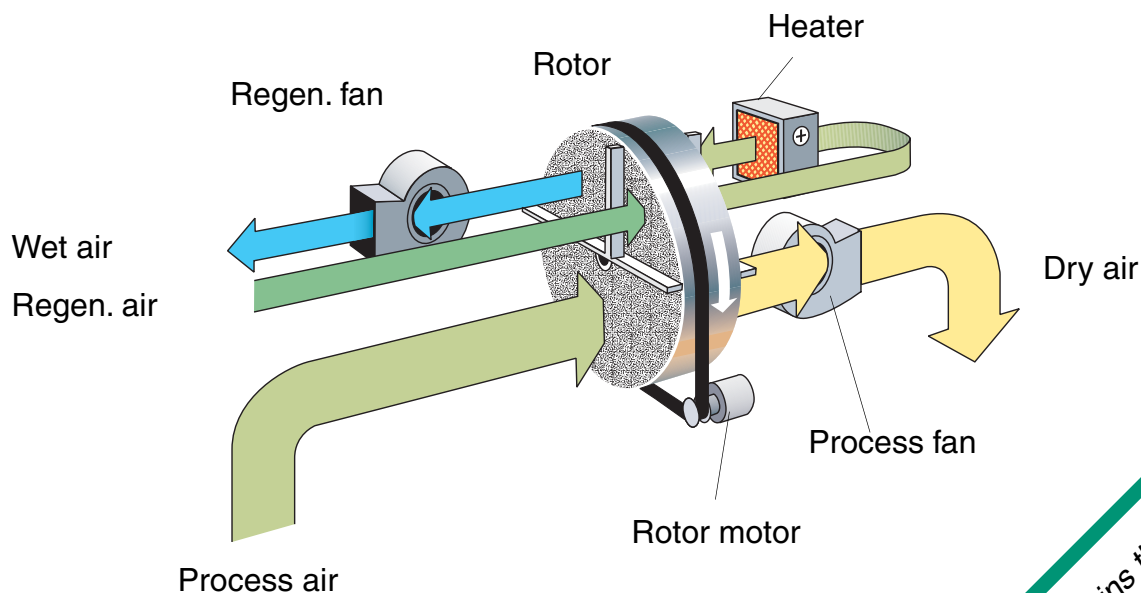


RZ-101

RZ-081

- Developed for ice-rinks
- Washable rotor
- No desiccant carry-over

- Built-in heat recovery
- Low dry air temperature
- Long lifetime



Contains the SSCR rotor -  
one step ahead in  
adsorption technology

**TECHNICAL DATA**

**Dehumidifier model ICE**

**RZ-081 RZ-101 RZ-102**

|  |                                |
|--|--------------------------------|
| Dry air flow** [m³/h] .....            | 4 500..... 9 000..... 12 000   |
| Static pressure at disposal [Pa] ..... | 300..... 300..... 300          |
| Wet air flow ** [m³/h].....            | 1000..... 1800..... 2500       |
| Static pressure at disposal [Pa] ..... | 200..... 200..... 200          |
| Heater power*** [kW] .....             | 24..... 40..... 63             |
| Maximum electric consumption [kW]..... | 28..... 47..... 74             |
| Supply fuse 3x 230/400V 50Hz [A] ....  | 80/50..... 125/80 .... 250/125 |
| Weight [kg] .....                      | 304 ..... 390..... 513         |

- \* Valid for inlet conditions 20°C/ 60%RH. For other inlet conditions the capacity can be calculated by using the correction factor from the diagram shown below.
- \*\* Volume flow for density 1,20 kg/m³.
- \*\*\* Available with electric heater, steam heater or gas heater.

**CAPACITY**

| [kg/h]        | 10°C  |       |       | 15°C  |       |       | 20°C  |       |       |    |
|---------------|-------|-------|-------|-------|-------|-------|-------|-------|-------|----|
|               | 30%RH | 50%RH | 70%RH | 30%RH | 50%RH | 70%RH | 30%RH | 50%RH | 60%RH |    |
| RZ-081 Ice *  | 9,5   | 14,0  | 17,0  | 12,0  | 16,5  | 19,0  | 14,5  | 18,5  | 19,5  | *  |
| RZ-081 Ice ** | 8,5   | 13,0  | 16,0  | 10,5  | 15,0  | 18,5  | 12,5  | 17,0  | 19,0  | ** |
| RZ-101 Ice *  | 16,5  | 23,5  | 28,0  | 21,0  | 27,5  | 31,0  | 24,5  | 30,0  | 32,0  | *  |
| RZ-101 Ice ** | 14,0  | 21,5  | 27,0  | 17,5  | 25,0  | 30,5  | 20,5  | 28,0  | 31,0  | ** |
| RZ-102 Ice *  | 27,0  | 40,5  | 48,0  | 35,0  | 47,0  | 53,0  | 42,0  | 51,0  | 54,0  | *  |
| RZ-102 Ice ** | 24,5  | 37,0  | 46,0  | 31,0  | 43,5  | 52,0  | 36,5  | 48,0  | 52,5  | ** |

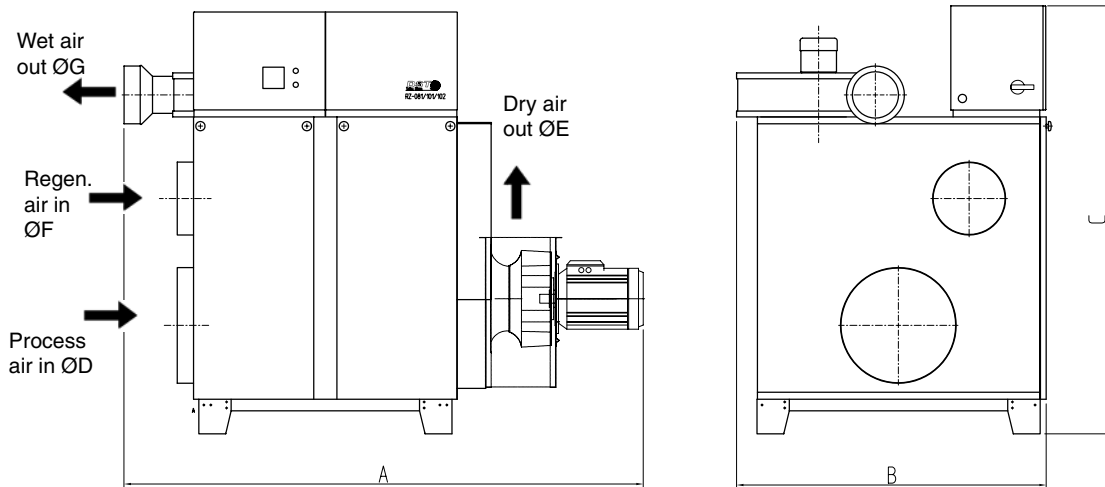
- \* Regeneration and process air at same condition.
- \*\* Regeneration air in at 25°C 12g/kg

**Dimensions for RZ-081 101 102 [mm]**  
 A 1907 2245 2200  
 B 950 1340 1250  
 C 1550 1850 1940

**Dimensions for RZ-081 101102 [mm]**  
 D 400 500 630  
 E \*  
 F 200 315 400  
 G 160 250 315

**Dimensions for E \***  
 RZ-081: 680 x 286  
 RZ-101: 836 x 356  
 RZ-102: 880 x 338

**DIMENSIONS**



Subject to change without notice.

**Seibu Giken DST AB**

Avestag, 33, S-163 53 Spånga, Sweden  
 www.dst-sg.com E-mail: info@dst-sg.com  
 tel: +46-8 4457720; fax: +46-8 4457739

**Representative:**